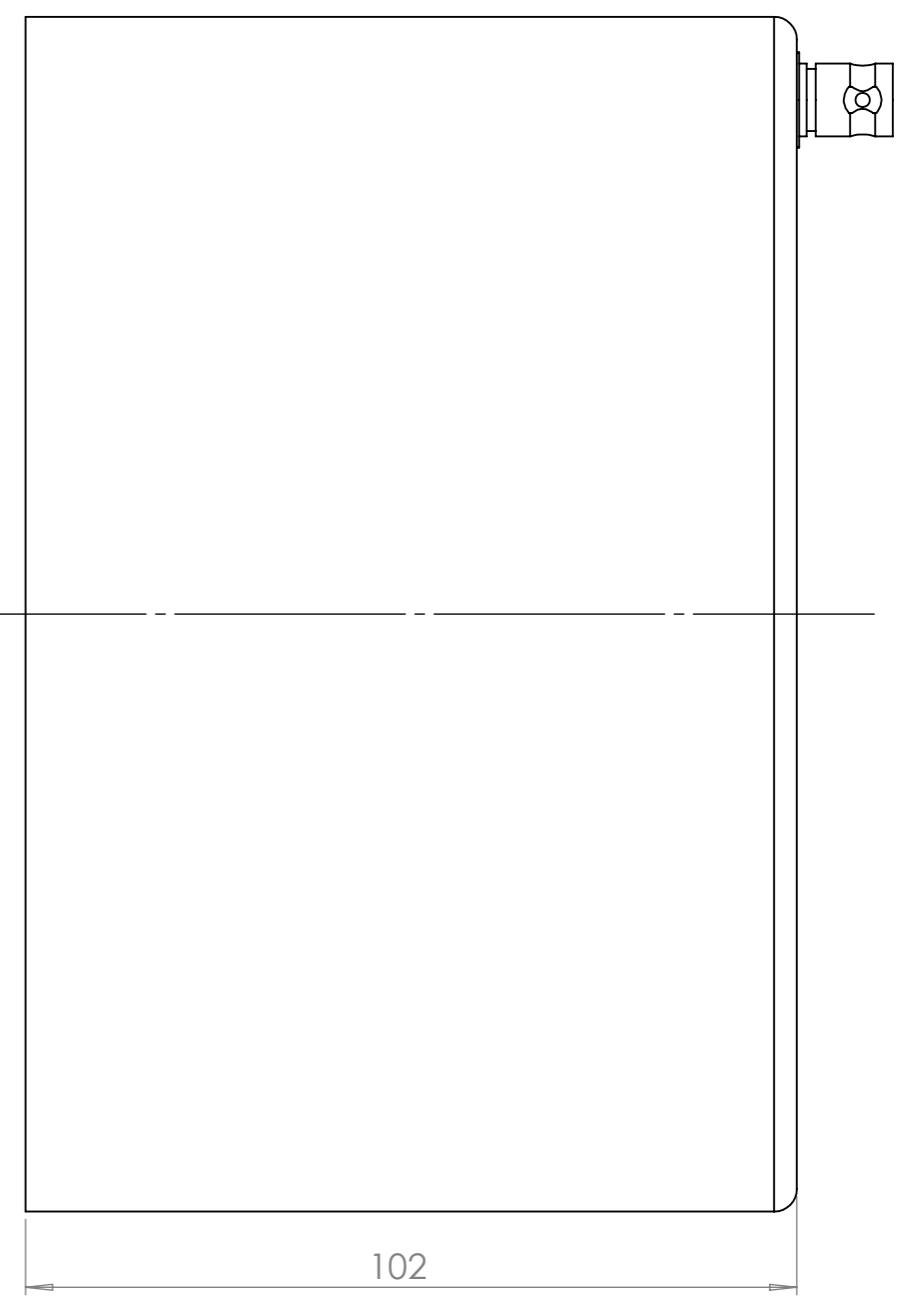


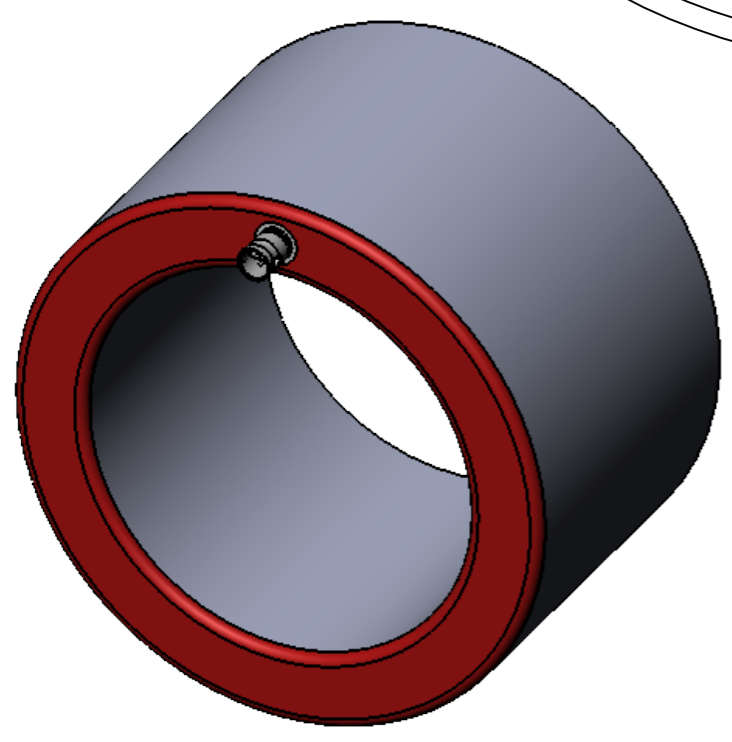
ACCT output  
BNO connector



OD  $\varnothing$  158

ID  $\varnothing$  115 min.



102



1.0		06/06/2016	Drawing publishing		
EDITING:	DATE:			MODIFICATIONS	
DRAWN	J. Cousin	MATERIAL:	-	Reference	
VERIFIED				ACCT-S-115-MSH	
 <small>INSTRUMENTATION</small>		 <small>Unless otherwise specified: Dimensions are in millimeters General tolerances: <math>\pm 0.1</math> Angles: Ra: 3.2</small>		A3	
				SCALE: 1:1	
156 rue du Mont Rond - Espace Allondon Ouest - 01630 Saint-Genis Pouilly - TEL: 04 50 42 66 42 - FAX: 04 50 42 66 43 - info@bergoz.com					
					PAGE 1 ON 1