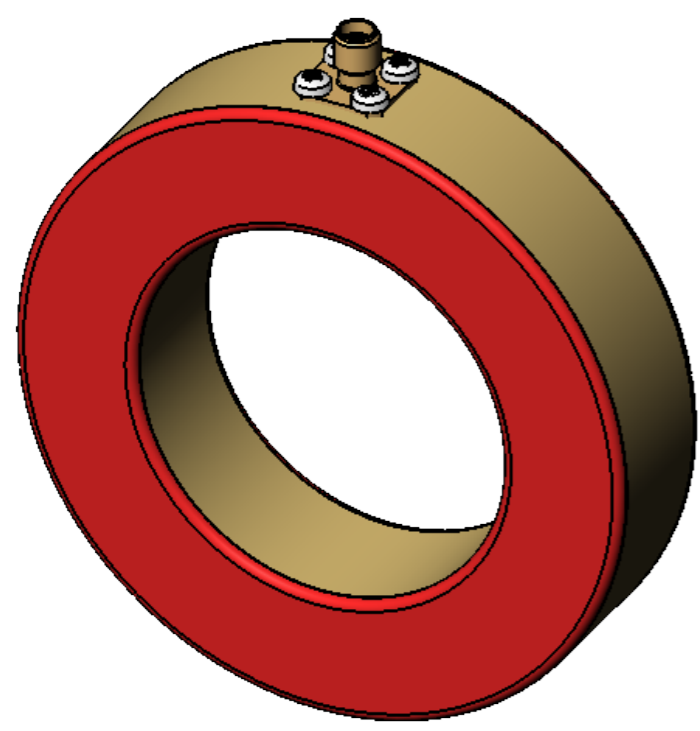
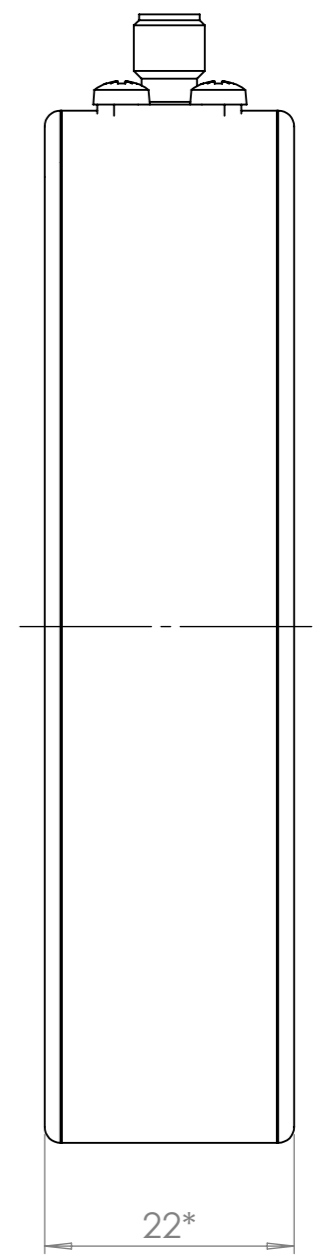
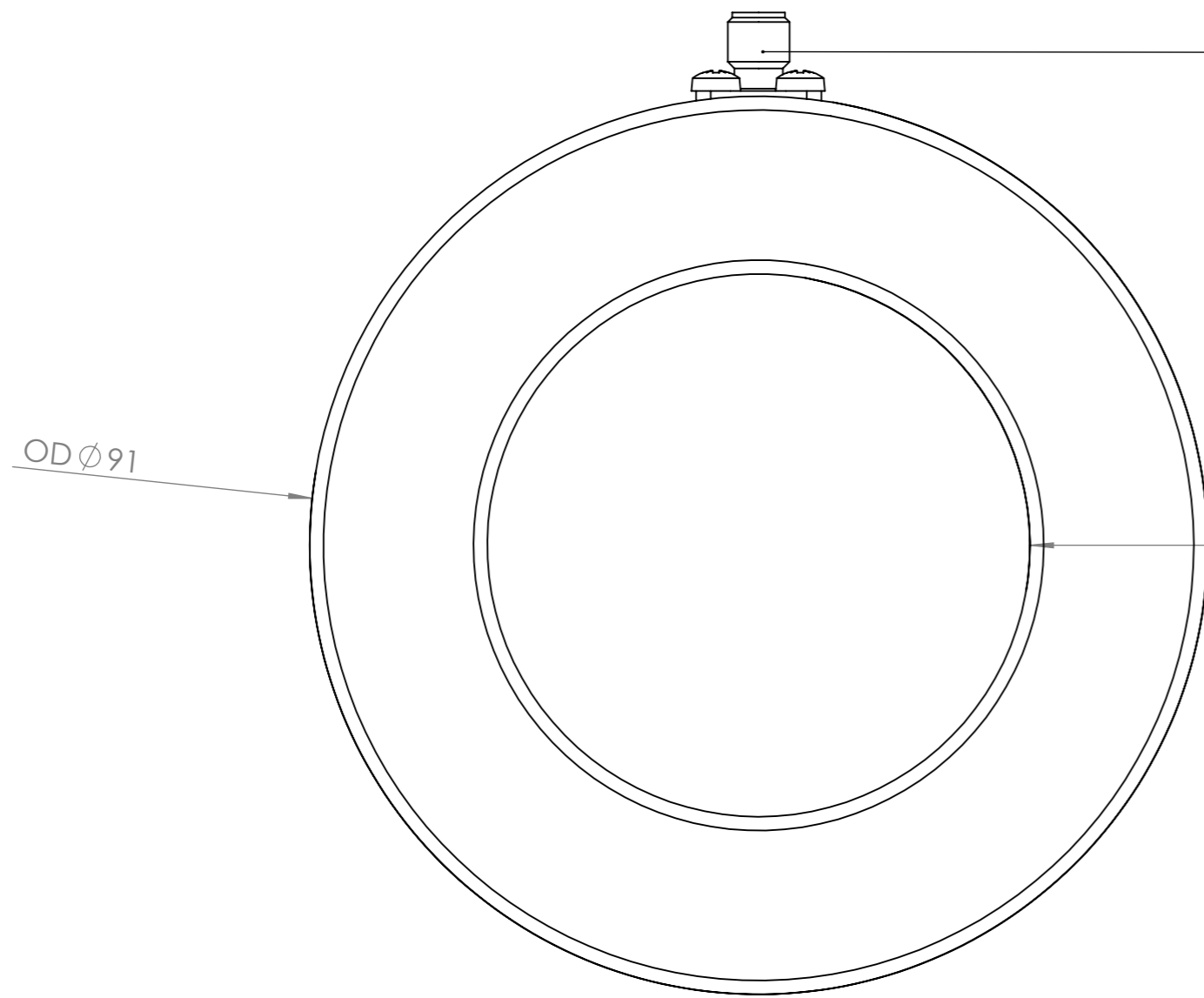




ICT output  
SMA connector



\* Height 35mm for 5Vs/C and higher sensitivities

1.0		06/06/2016	Drawing publishing	
EDITING:	DATE:	MODIFICATIONS		
DRAWN	J. Cousin	MATERIAL:	Reference	
VERIFIED		-	ICT-055	
 <small>INSTRUMENTATION</small>		 <small>Unless otherwise specified: Dimensions are in millimeters General tolerances: ±0.1 Angles: Ra: 3.2</small>	A3	
			SCALE: 3:2	
156 rue du Mont Rond - Espace Allondon Ouest - 01630 Saint-Genis Pouilly - TEL: 04 50 42 66 42 - FAX: 04 50 42 66 43 - info@bergoz.com				PAGE 1 ON 1