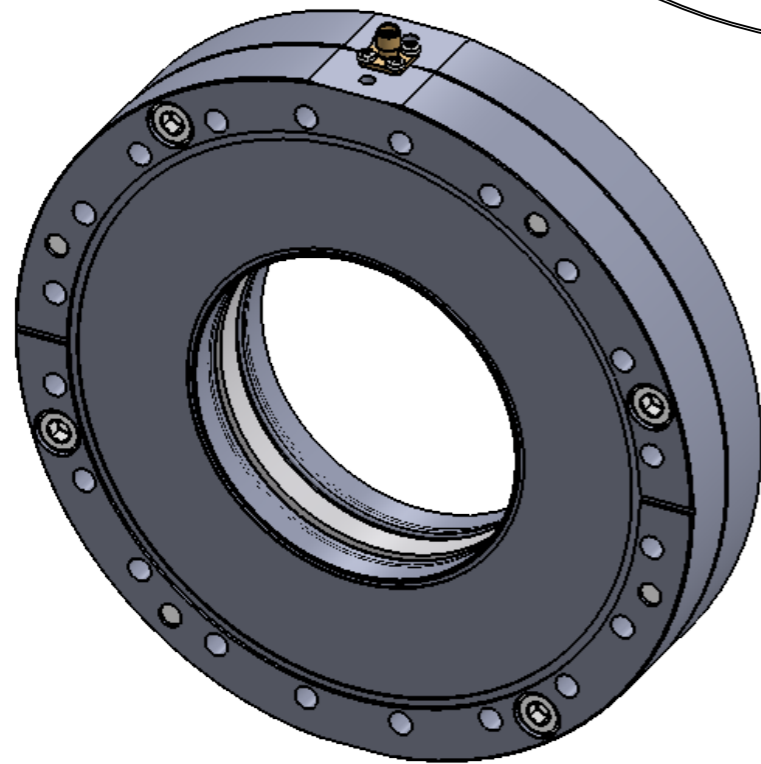
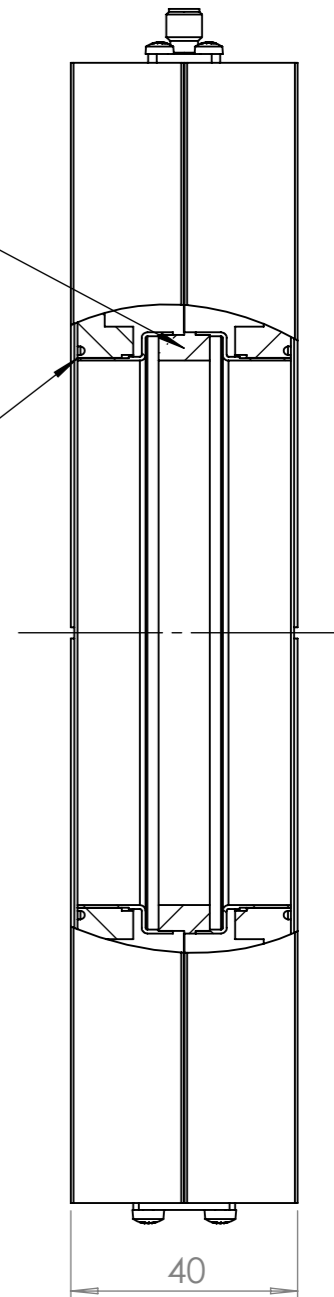


Ceramic brazed to kovar

TIG welding



1.0		24/05/2016	Drawing publishing		
EDITING:	DATE:			MODIFICATIONS	
DRAWN	J. Cousin	MATERIAL :	Reference		
VERIFIED		SS 304	ICT-CF8"-96.0-40-070-UHV		
		(SS 316 LN on option)			
				Unless otherwise specified: Dimensions are in millimeters General tolerances: ± 0.1 Angles: Ra: 3.2	
156 rue du Mont Rond - Espace Allondon Ouest - 01630 Saint-Genis Pouilly - TEL: 04 50 42 66 42 - FAX: 04 50 42 66 43 - info@bergoz.com					SCALE: 3:4
					PAGE 1 ON 1