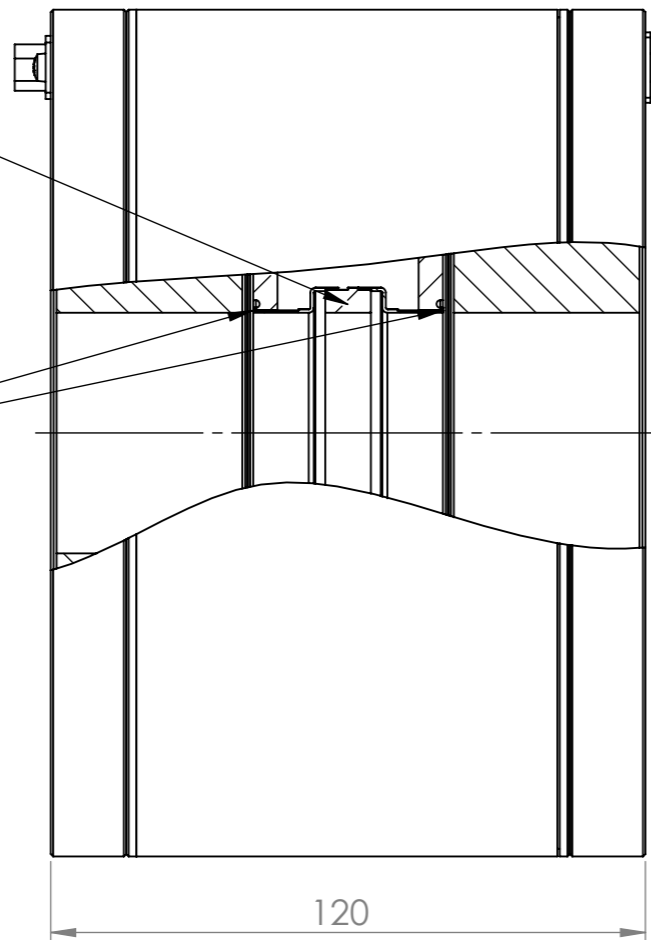
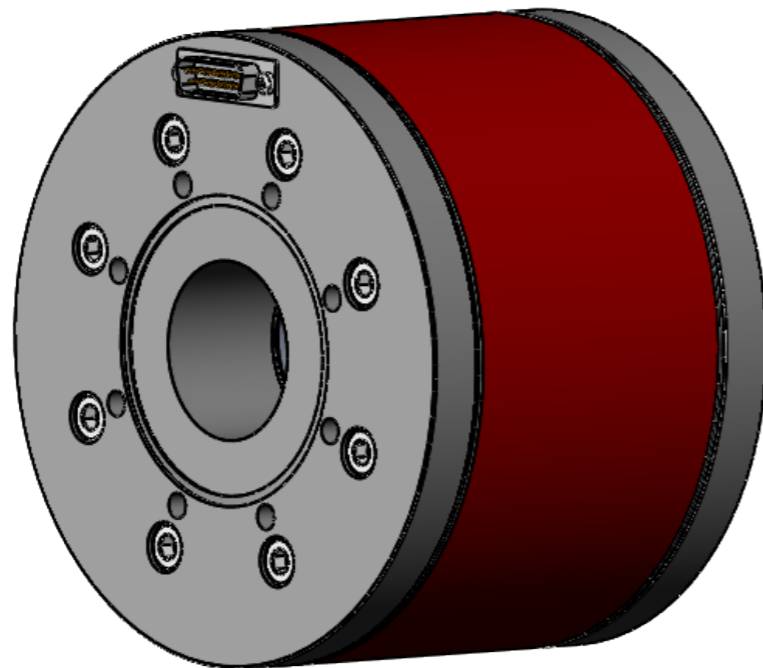
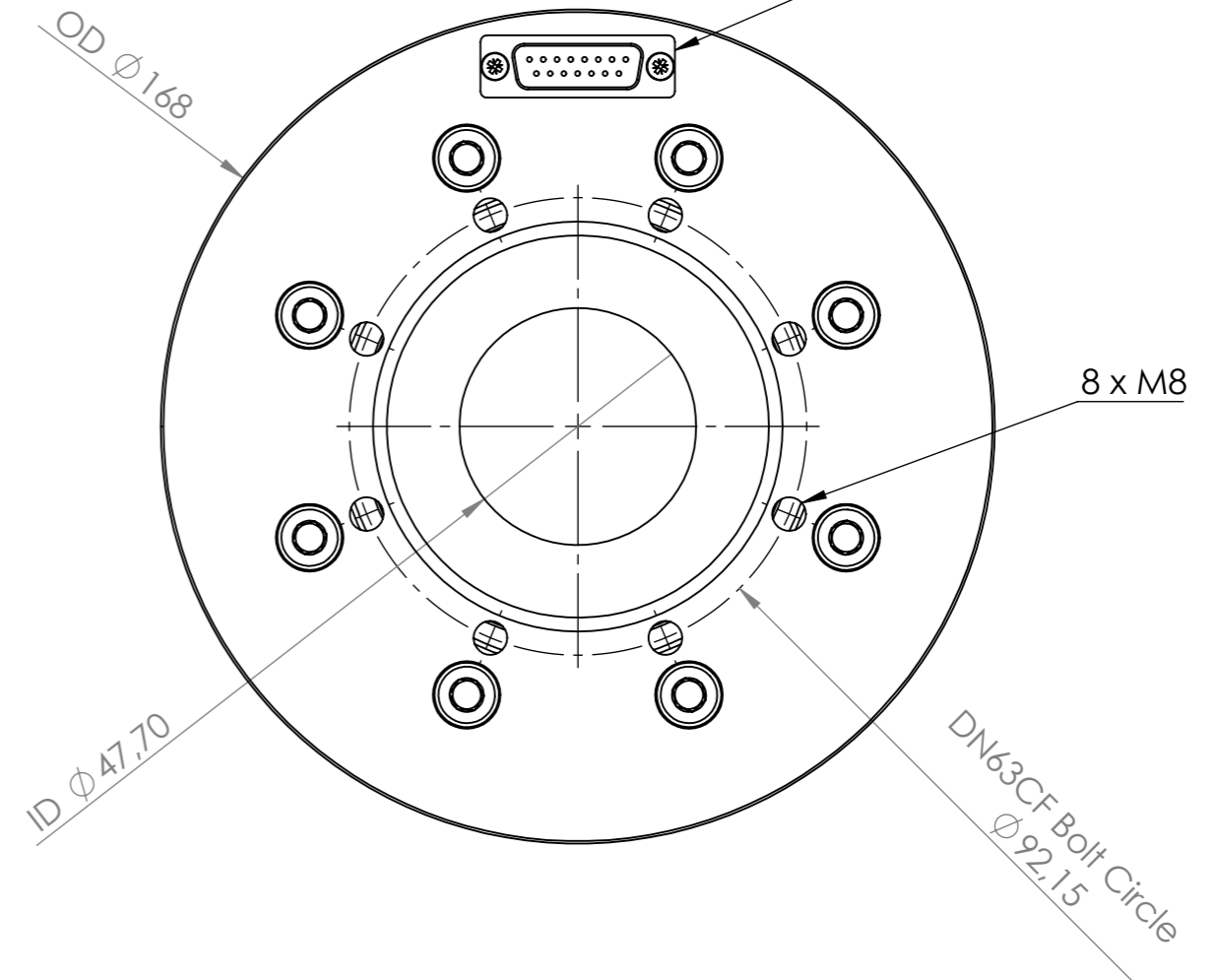




Ceramic brazed to kovar

TIG welding



DB15 connector
NPCT output



| | | | | |
|----------------------------------------------------------------------------------------------------------------------------------------|----------|------------------------------------------------------------------------------------------------------------------------------------------------------------------------------------------------------|--------------------------|-------------|
| 1.0 | | 05/09/2017 | Drawing publishing | |
| EDITING: | DATE: | MODIFICATIONS | | |
| DRAWN | H. Bayle | MATERIAL: | Reference: | |
| VERIFIED | | SS 304 (SS 316LN on option) | NPCT-CF4"/2-47.7-120-UHV | |
|  bergoz INSTRUMENTATION | |  Unless otherwise specified: Dimensions are in millimeters General tolerances: ±0.1 Angles: Ra: 3.2 | A3 | |
| | | | Scale: 1:1.5 | |
| 156 rue du Mont Rond - Espace Allondon Ouest - 01630 Saint-Genis Pouilly - TEL: 04 50 42 66 42 - FAX: 04 50 42 66 43 - info@bergoz.com | | | | |
| | | | | Page 1 on 1 |