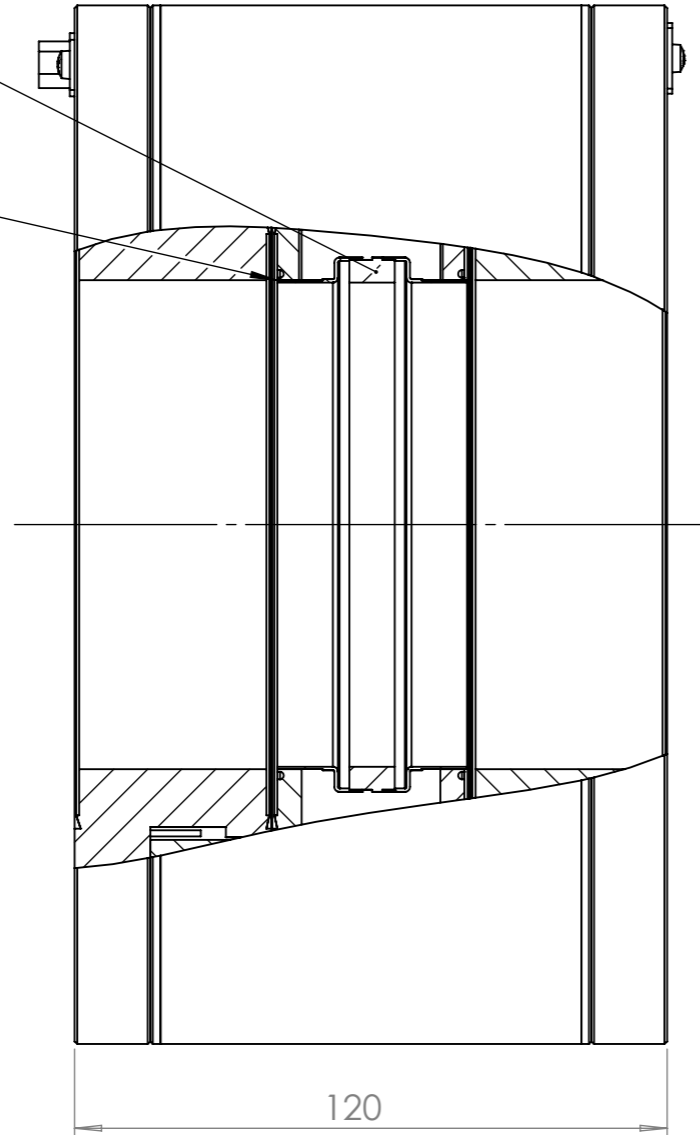


Ceramic brazed to kovar

TIG welding



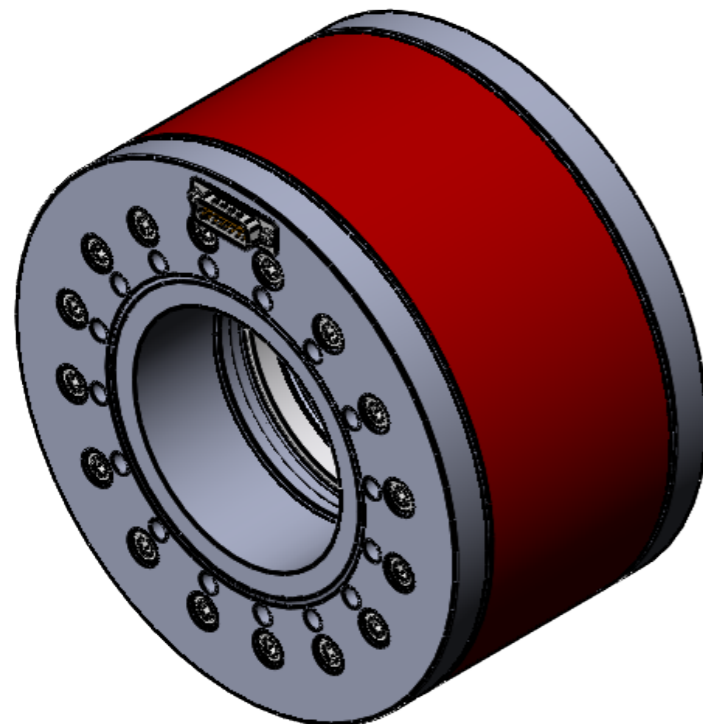
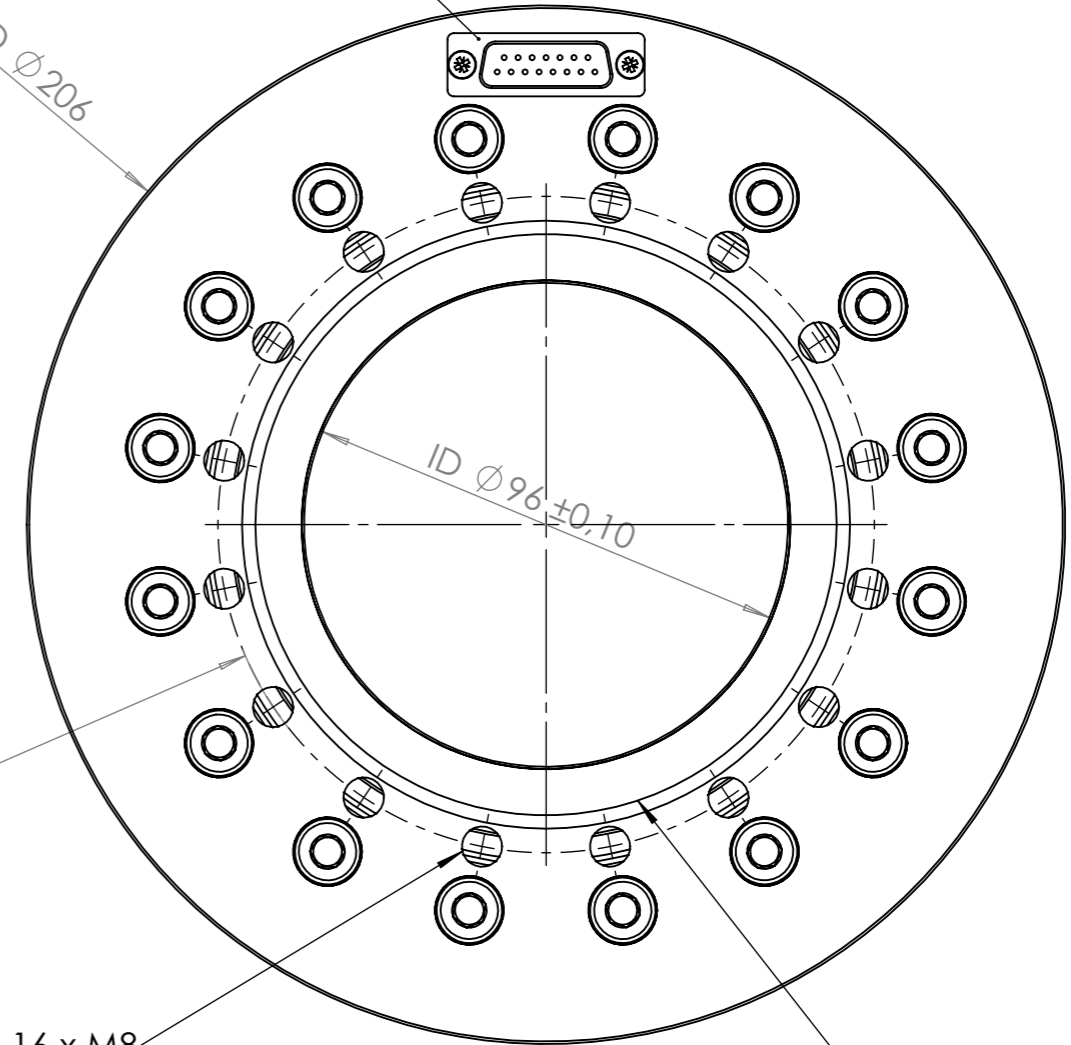
DB15 connector



OD  $\phi 206$

DN100CF Bolt Circle  
 $\phi 130,20$

16 x M8

DN100CF knife edge



1.0		20/09/2017	Drawing publishing		
EDITING:	DATE:			MODIFICATIONS	
DRAWN	H. Bayle		MATERIAL:	Reference:	
VERIFIED			SS 304 (SS 316LN on option)	NPCT-CF6-96-120-UHV	
 <b>INSTRUMENTATION</b>			 Unless otherwise specified: Dimensions are in millimeters General tolerances: $\pm 0,1$ Angles: Ra: 3.2		A3
					Scale: 1:1.5
156 rue du Mont Rond - Espace Allondon Ouest - 01630 Saint-Genis Pouilly - TEL: 04 50 42 66 42 - FAX: 04 50 42 66 43 - info@bergoz.com					
					Page 1 on 1